

# MS 1000 and DAS Deployment Cable Reels



KONGSBERG

Kongsberg MS 1000 Cable Reels are designed to facilitate the storage, rapid deployment and use of MS1000 Series and DAS sonars using our standard Deployment cables.

The Deployment cable is a polyurethane-jacketed cable incorporating Kevlar® strength members to prevent cable damage, and a water block liner to prevent water intrusion due to minor cuts to the cable jacket. The cable construction provides strength and protection to the power and telemetry conductors, reinforced to 6,600 lbs. (3,000 kg.) breaking strength.

Effective cable management is a safety issue on shore as well as onboard, so being able to eliminate loose coils of cable contributes to a safer work environment. Kongsberg provides a range of solutions to accommodate situations where the sonar cable may be deployed from shore, piers, and large or small vessels. Cable capacities range from 250 feet (75 meters) to over 500 feet (150 meters). Larger capacity cable reels are equipped with wheels to facilitate moving the cable reels on docks or decks.

Many of the cable reel models offered are equipped with slip ring electrical connectors to simplify the process of verifying equipment function and connections prior to deployment of the sonar head. The smaller diameter deck cable connects the cable reel to a power and telemetry interface and is deployed on deck more easily than the full strength Kevlar® reinforced Deployment cable.



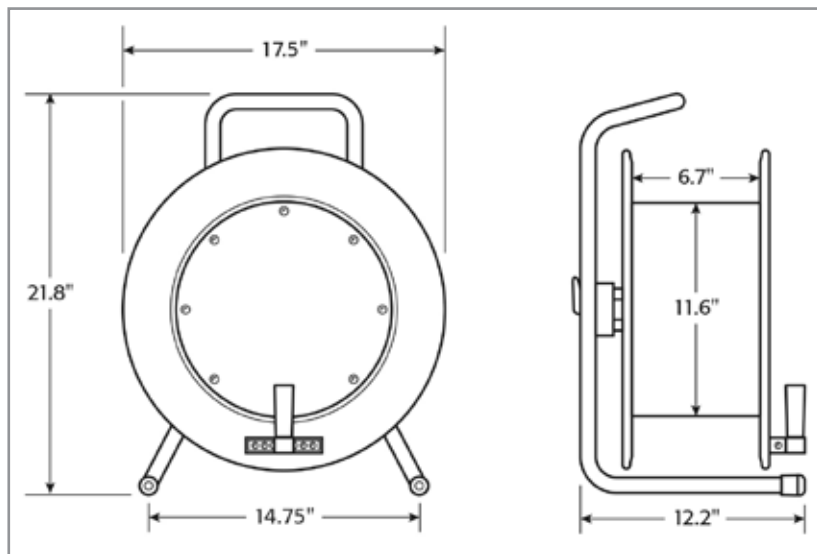
*Cable Reel 500ft capacity with wheels and slip-ring*

<b>MS 1000 Series Deployment Cable Specifications</b>	
<b>Scope:</b>	The cable consists of 2ea. twisted belted to round pairs 24awg, 2ea. 16awg, Kevlar® served, with yellow polyurethane jacket
<b>Conductors:</b>	24awg, stranded tinned copper, 16awg, stranded tinned copper
<b>Insulation:</b>	Polypropylene for all conductors
<b>Binder:</b>	An overall clear Mylar Tape
<b>Strength Layer:</b>	Kevlar® served strength member to provide 6,600 lbs of breaking strength
<b>Jacket:</b>	0.070" wall pressure extruded 85A Shore Hardness yellow polyurethane jacket for chafe resistance
<b>Outside Diameter:</b>	0.474" nominal
<b>Bend Radius:</b>	6"
<b>Weight:</b>	96 lbs/1000 ft
<b>Connectors:</b>	Standard Cable: Dry End Connector: Amphenol 97-3057-6 Wet End Connector: Sea Con RMG 4 FS Extension Cable: Dry End Connector: Sea Con RMG 4 MP Wet End Connector: Sea Con RMG 4 FS
<b>Length:</b>	250 feet typical length, varies as specified
<b>Deployment:</b>	Kellem's Grip Strain Relief to support the sonar head/tripod assembly (standard)

## Deployment Cable Reels - 250 Foot Capacity (Cable Included)



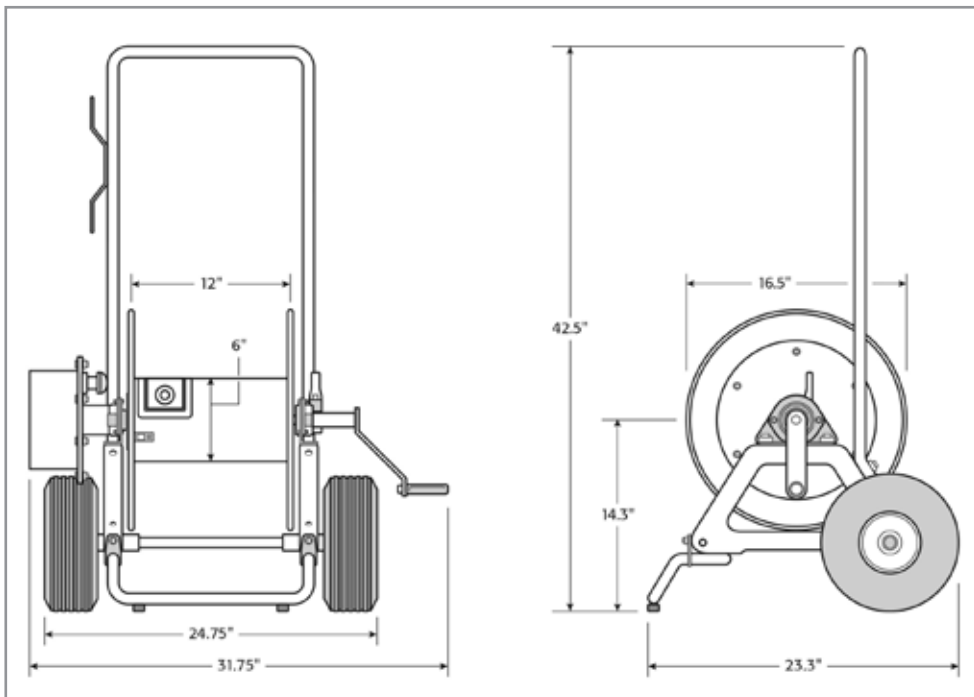
Cable reel with 250ft cable capacity



Cable reel dimensions

	<b>Cable Reel 250ft Capacity Slip Ring 250ft Cable</b>	<b>Cable Reel 250ft Capacity 250ft Cable</b>	<b>Cable Reel for DAS Sonar 250 ft Capacity 250ft Cable</b>
<b>Product Number</b>	975-8012000	975-8013000	975-8017000
<b>Materials</b>	Painted steel frame, composite and rubber	Painted steel frame, composite and rubber	Painted steel frame, composite and rubber
<b>Cable</b>	250ft Kevlar® reinforced deployment cable	250ft Kevlar® reinforced deployment cable	250ft Kevlar® reinforced deployment cable
<b>Dry End Connector</b>	Amphenol 97-3057-6	Amphenol 97-3057-6	Amphenol 97-3057-6
<b>Reel to Deployment Cable Connectors</b>	Sea Con RMG 4 FS / Sea Con RMG 4 MP (extension deployment cable connector)	Sea Con RMG 4 FS / Sea Con RMG 4 MP (extension deployment cable connector)	Sea Con RMG 4 FS / Sea Con RMG 4 MP (extension deployment cable connector)
<b>Wet End Connector</b>	Sea Con RMG 4 FS wet mate	Sea Con RMG 4 FS wet mate	Sea Con XSEE-6-CCP
<b>Deck Cable</b>	10ft deck cable <i>coils on rear of frame</i>	25ft deck cable <i>coils in cable hub</i>	10ft deck cable <i>coils on rear of frame</i>
<b>Weight</b>	42lbs (19kg) <i>including cable</i>	42lbs (19kg) <i>including cable</i>	42lbs (19kg) <i>including cable</i>

## Deployment Cable Reels - 500 Foot Capacity (Reel Only)



*Cable reel dimensions*

*Cable reel with 500ft cable capacity*

	<b>Cable Reel 500ft Capacity Slip Ring (Extension Cable)</b>	<b>Cable Reel 500ft Capacity Slip Ring (Standard Cable)</b>
<b>Product Number</b>	975-8014000	975-8018000
<b>Materials</b>	Painted steel frame and drum, rubber tires	Painted steel frame and drum, rubber tires
<b>Cable</b>	Not included	Not included
<b>Dry End Connector</b>	Amphenol 97-3057-6	Amphenol 97-3057-6
<b>Reel to Deployment Cable Connectors</b>	Sea Con RMG 4 FS (extension deployment cable)	Amphenol 97-3101A (standard deployment cable)
<b>Wet End Connector</b>	Sea Con RMG 4 FS wet mate	Sea Con RMG 4 FS wet mate
<b>Deck Cable</b>	25ft deck cable <i>coils on frame</i>	25ft deck cable <i>coils on frame</i>
<b>Weight</b>	70lbs (32kg) without cable 120lbs (55kg) including 500ft cable	70lbs (32kg) without cable 120lbs (55kg) including 500ft cable

### Accessories



Storage case on wheels



#### Storage and Shipping Case

Product Number:	199-01000020
Interior Dimensions:	29" x 18" x 13.8" (73.6cm x 45.7cm x 35cm)
Weight (empty):	22.8lbs (10.3kg)

- Holds 250ft of cable reel
- Watertight
- In-line wheels
- Telescoping handle
- Five press and pull latches

### Kongsberg Mesotech Ltd.

Kongsberg Mesotech Ltd. is a global leader in the underwater acoustic industry with over 40 years of innovative product development and manufacturing experience. Characterized by exceptional engineering capabilities, the Company focuses on providing customers with superior image resolution by producing high quality reliable equipment. Continuous research and development keeps pace with growing markets and demand as well as changes in customer requirements.

The Company supplies a worldwide customer base with products for search and recovery, marine engineering, security and surveillance, fisheries and various other underwater applications. There is an extensive support network including training, product support and assistance with application and data interpretation. Kongsberg Mesotech Ltd. is the

Canadian subsidiary of Kongsberg Maritime, a leader in the merchant marine and subsea industries. Kongsberg Maritime is a division of Kongsberg Gruppen (Group), an international corporation headquartered in Norway.

### Kongsberg Gruppen

The Kongsberg Group is a leading international technology corporation providing advanced solutions and applications for the merchant marine, oil and gas, defence and aerospace industries. The group is comprised of Kongsberg Maritime, Kongsberg Oil and Gas Technologies, Kongsberg Defence Systems and Kongsberg Protech Systems, all focused on delivering high-quality products and premium service to global client bases. Kongsberg Group is publicly traded on the Oslo Stock Exchange under the symbol OSE:KOG.

Copyright © 2014, Kongsberg Mesotech Ltd.

### Kongsberg Mesotech Ltd.

1598 Kebet Way  
Port Coquitlam, BC  
V3C 5M5  
Canada

Telephone: +1 604 464 8144 / +1 888 464 1598  
Telefax: +1 604 941 5423  
[www.kongsberg-mesotech.com](http://www.kongsberg-mesotech.com)  
[km.sales.vancouver@kongsberg.com](mailto:km.sales.vancouver@kongsberg.com)



KONGSBERG